

## Welcome

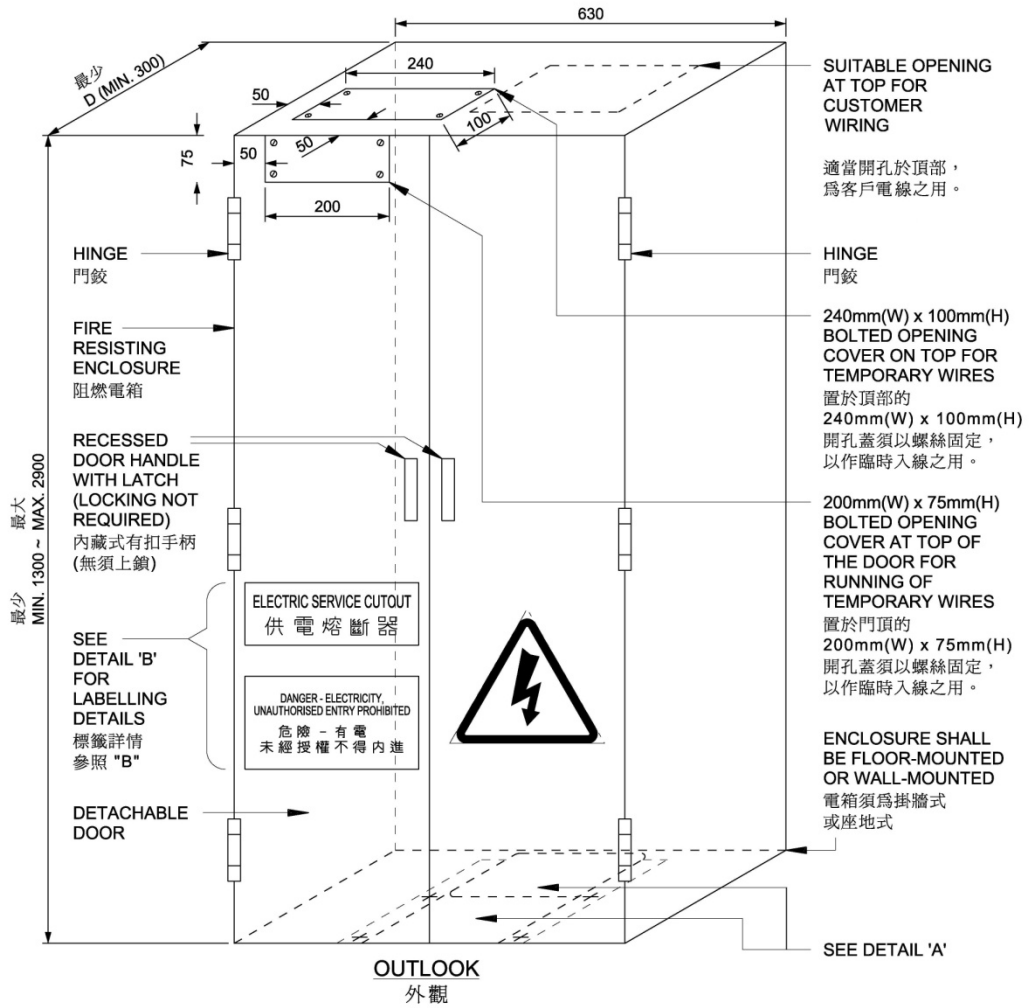
to our “e-REW Express”. Some buildings are required to provide/retrofit fire resistant enclosures to cover the electrical installations so as to comply with the Fire Safety (Buildings) Ordinance. Since the said enclosures may also cover HK Electric’s service cutouts and tariff meters, special provisions must be made to allow access for operation and maintenance of these apparatuses. In this issue, we will describe the requirements of fire resisting enclosures when they are installed over HK Electric’s service cutouts and tariff meters.

We hope you will find the information of this e-REW Express useful. If you have any suggestion, please send an email to us at [mail@hkelectric.com](mailto:mail@hkelectric.com) or contact our Customer Installation Section at 2887 3455 so that we can further improve our service.

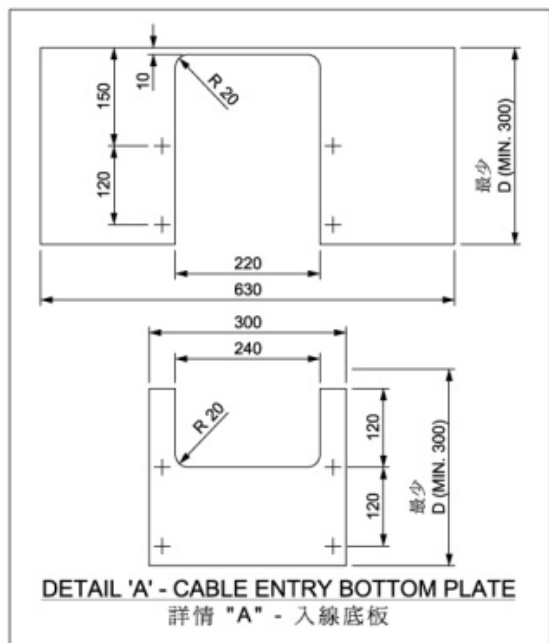
## Requirements of Fire Resisting Enclosures for HK Electric Service Cutouts and Tariff Meters

### 1. Fire Resisting Enclosure for HK Electric Service Cutout

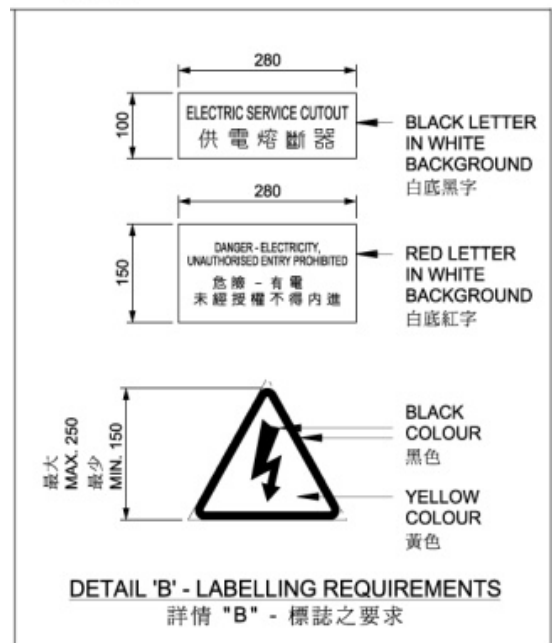
- 1.1 The dimensions of the enclosure for HK Electric service cutouts are as follows:
  - Depth : 300mm (Min)
  - Height : 1300mm (Min) – 2900mm (Max)
  - Width : 630mm (Min)
- 1.2 Working space of width not less than 900mm shall be provided in front of HK Electric Cutout.
- 1.3 The door shall be with full swing 180 degree.
- 1.4 The door shall only be detachable by pushing upwards (without using any tool) when it has been opened for more than 30 degrees.
- 1.5 The total weight of each removable door shall not exceed 16 kgf.
- 1.6 The fire resisting enclosure shall be constructed to have a fire resistance period of not less than 1 hour, complying with Fire Services Department (FSD) requirements and relevant government regulations.
- 1.7 The openings for customer main wire entry from top and HK Electric cable entry from bottom of the fire resisting enclosure (as shown in Figure 1) shall be properly sealed with fire retarding material by customers.



**Figure 1**



**Detail 'A'**



**Detail 'B'**

1.8 The owner of the enclosure shall submit a confirmation letter to HK Electric undertaking the future maintenance of the enclosure.

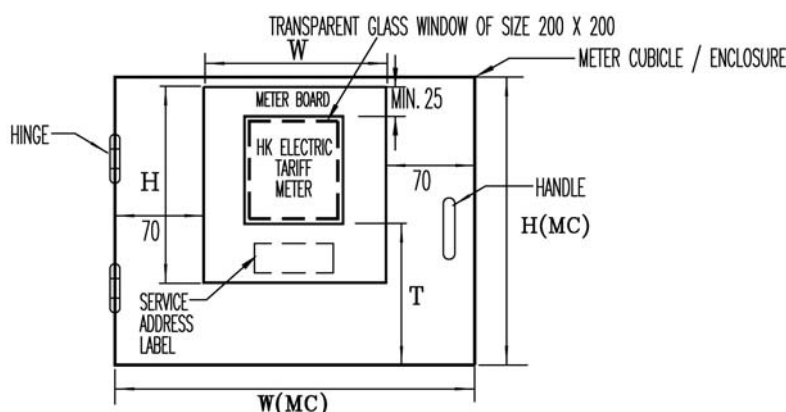
**2. Fire Resisting Enclosure for Tariff Meters**

If the tariff meters are installed inside a meter cubicle / enclosure, the meter cubicle / enclosure shall comply with the following requirements (as shown in Figure 2):

2.1 The meter cubicle/enclosure (including the transparent glass window) shall be constructed to have a fire resistance period of not less than 1 hour, complying with Fire Services Department (FSD) requirements and relevant government regulations.

2.2 The distance between meter surface to the hinged door at closed position shall be maximum 50mm and minimum 20mm.

2.3 The recommended size of transparent glass window is 200 x 200 mm<sup>2</sup>.



**Figure 2 – Meter Cubicle / Enclosure with Transparent Glass**

2.4 Meter cubicle / enclosure for more than one meter shall be of dimensions in multiples of unit per the table below:

Meter Types	Main Switch Rating (Amp)	Minimum Clearance for Meter Termination	Meter Board Dimensions		Meter Cubicle / Enclosure Dimensions	
			H	W	H (MC)	W (MC)
1 - φ	≤ 60	T	280	210	355	350
		150	440	300	515	440
3 - φ	≤ 125	200	440	300	515	440

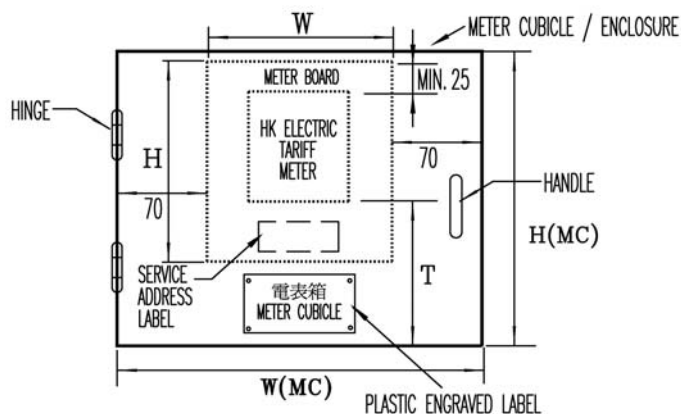
2.5 If other related electrical equipment is required to be installed inside the meter cubicle / enclosure, the size of the meter cubicle / enclosure shall be enlarged accordingly.

2.6 A handle shall be installed at the hinged door of meter cubicle / enclosure.

2.7 The recommended size of address label is 120 x 60 mm<sup>2</sup>.

Under special circumstances, HK Electric may accept the meter cubicle / enclosure complying with the following requirements (as shown in Figure 3):

- The meter cubicle / enclosure shall be installed at an easily accessible location / level to facilitate monthly meter reading.
- A plastic engraved label bearing words : “電表箱” and “METER CUBICLE” shall be installed at the meter cubicle / enclosure front cover. Recommended size of the label is 150 x 75 mm<sup>2</sup>.



**Figure 3 – Meter Cubicle / Enclosure without Transparent Glass**

We are pleased to provide our advisory service to Registered Electrical Contractor (REC) / Registered Electrical Worker (REW) and they are welcomed to provide us with the proposed layout plan of meter room and main switchroom for consideration.