

Welcome

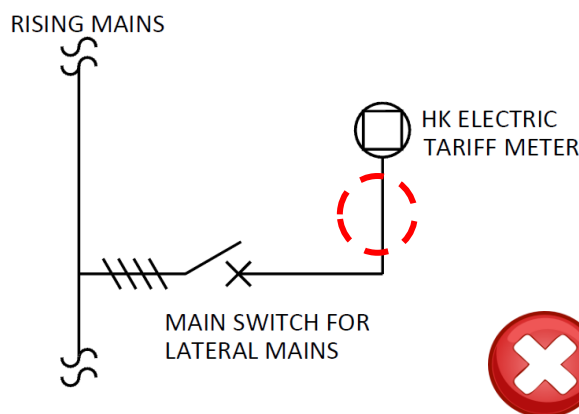
to our “e-REW Express”. In the last issue of “e-REW Express”, we highlighted some of the common departures in design of communal electrical installations. In this issue, we will highlight the common departures in design of interface parts for individual customers.

We hope you will find the information of this e-REW Express useful. If you have any suggestion, please send an email to us at mail@hkelectric.com or contact our Customer Installation Section on 2887 3455 so that we can further improve our service.

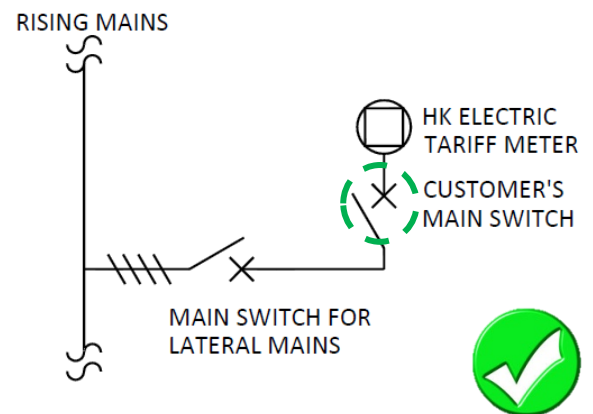
Common Departures in Design of Interface Parts for Individual Customers

1. Customer’s LV Main Switch

i. Provision of Customer’s Main Switch

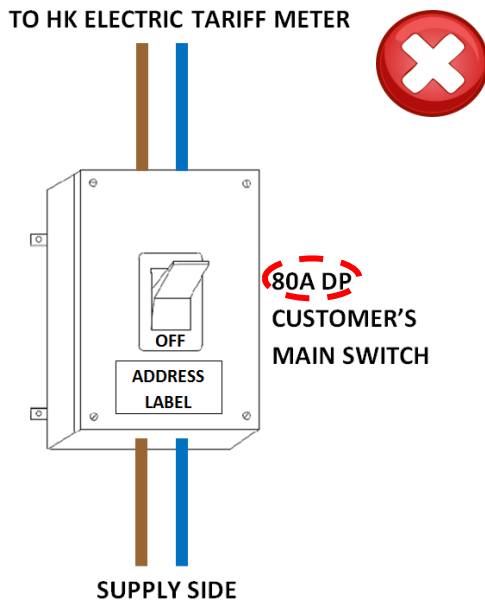
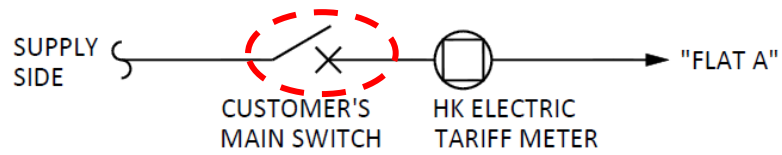


Main switch for lateral mains should not be used as customer’s main switch.

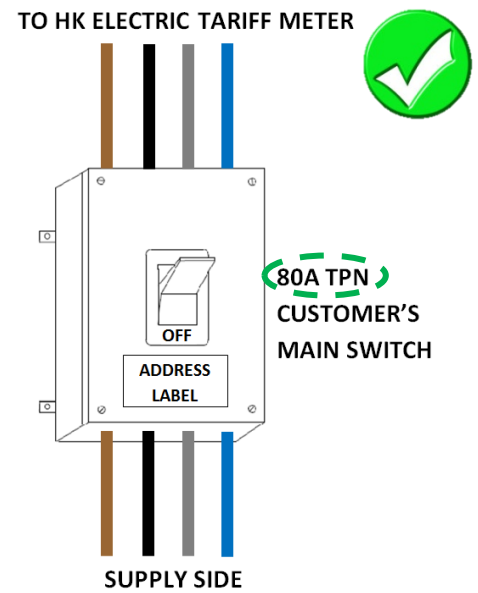


Customer’s main switch shall be installed and connected immediately before HK Electric’s meter.

ii. Supply of Installation

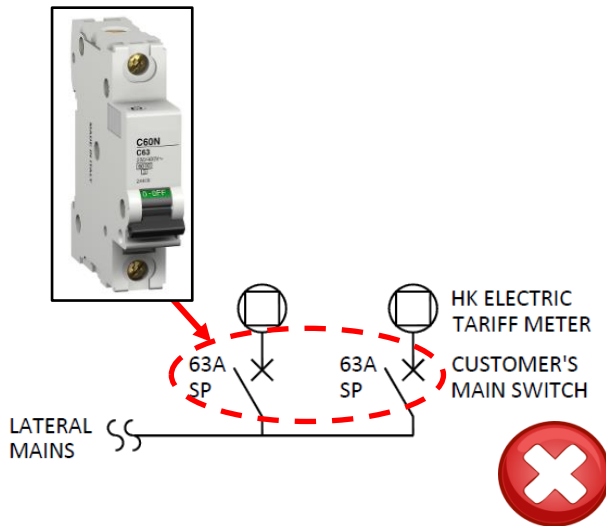


An installation requiring more than 60 A should not be designed to receive single phase supply.

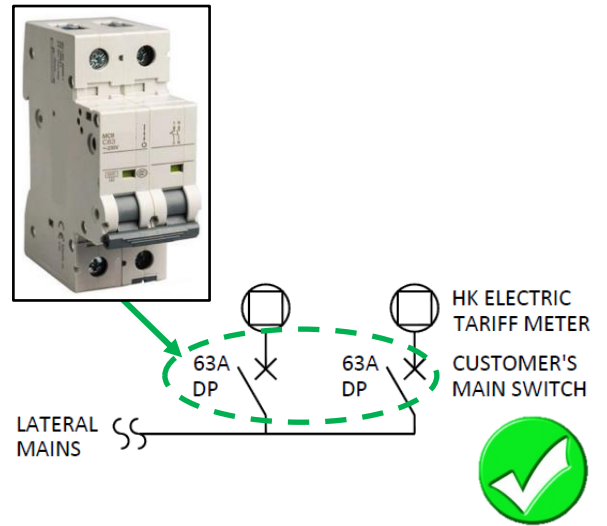


An installation requiring more than 60 A should be arranged to receive 3-phase supply.

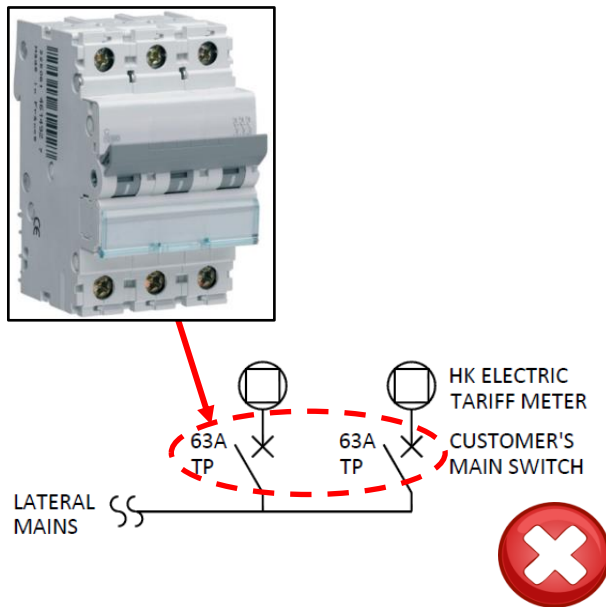
iii. Number of Poles



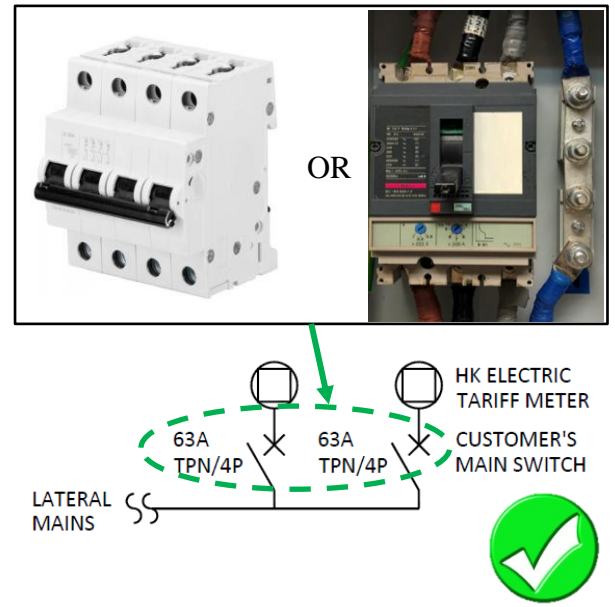
A single pole switch cannot be used as main switch for single phase installation.



A main switch for single phase installation shall be of double-pole type interrupting live and neutral.

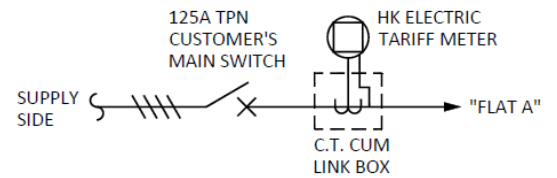
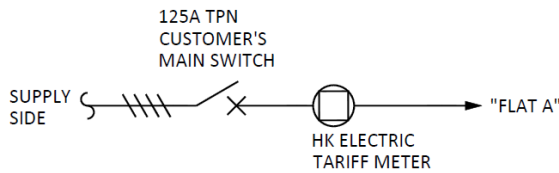
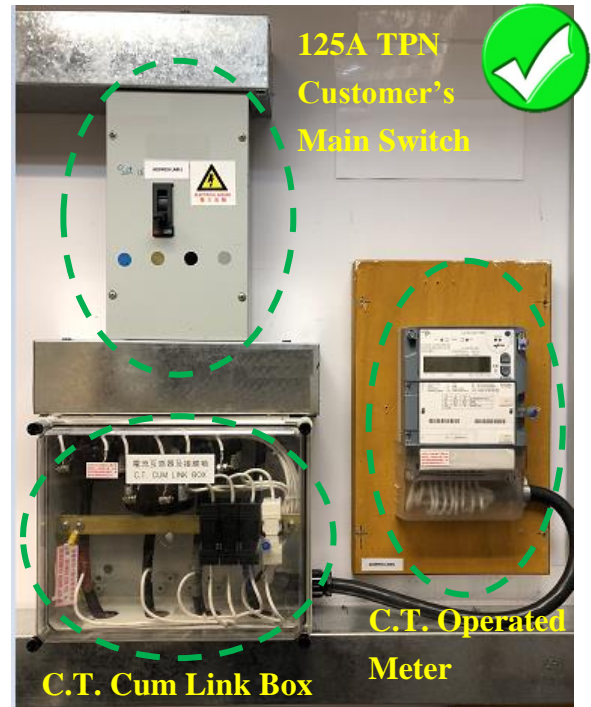
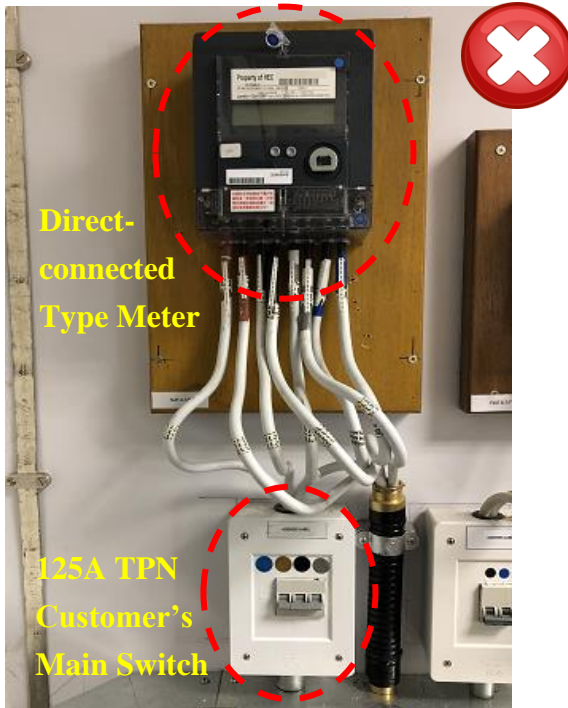


Neutral link in the neutral conductor of a 3-pole main switch for 3-phase installation has not been provided.



A main switch for 3-phase installation shall be of 4-pole or TPN switch.

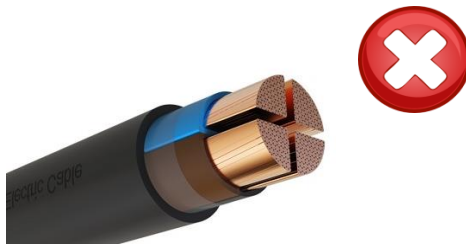
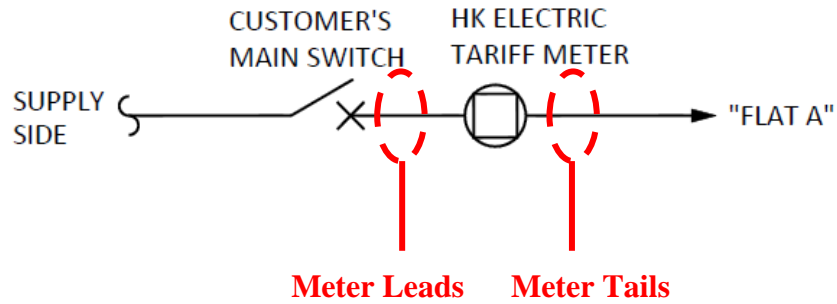
2. Type of Meters



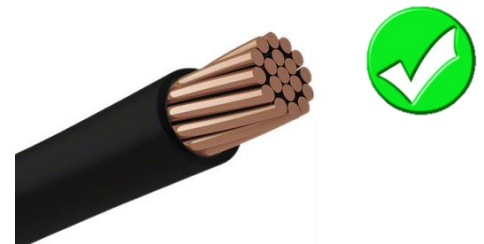
For 3-phase installation with main switch rating greater than 100A, direct-connected type meter shall not be adopted in the design.

C.T. operated meter with main switch rating greater than 100 A shall be adopted in the design for 3-phase installation.

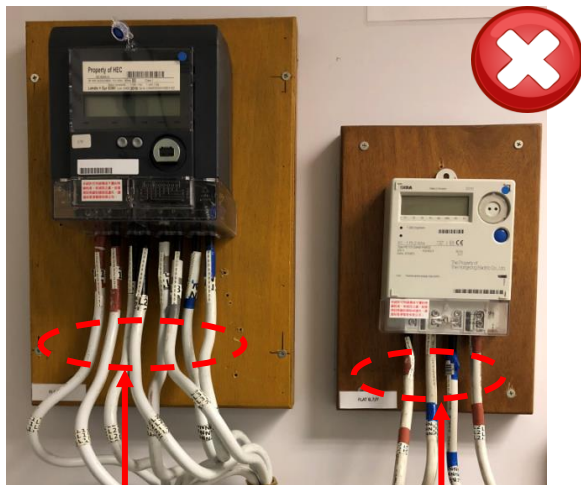
3. Meter Leads/ Tails for Direct-connected Type Meter



Sector-shaped copper conductors are not allowed for termination onto direct-connected type meters.



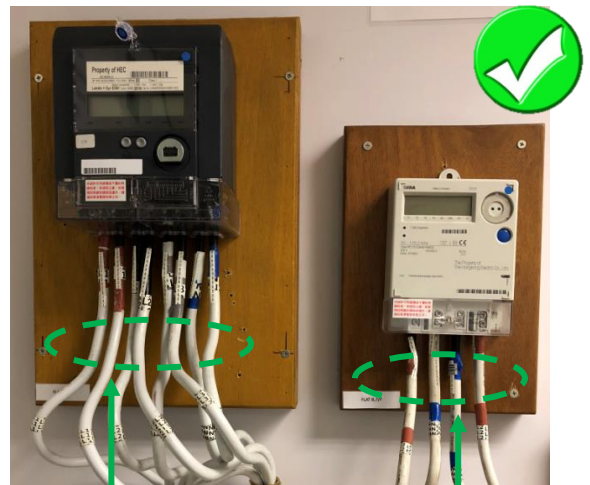
Only circular, multi-stranded copper conductors are allowed for termination onto direct-connected type meters.



	Conductor cross-sectional area (mm ²)						
1-phase	4	6	10	16	25	35	50
3-phase	4	6	10	16	25	35	50

Unacceptable Size

Oversized meter wires for direct-connected type meter are not allowed.

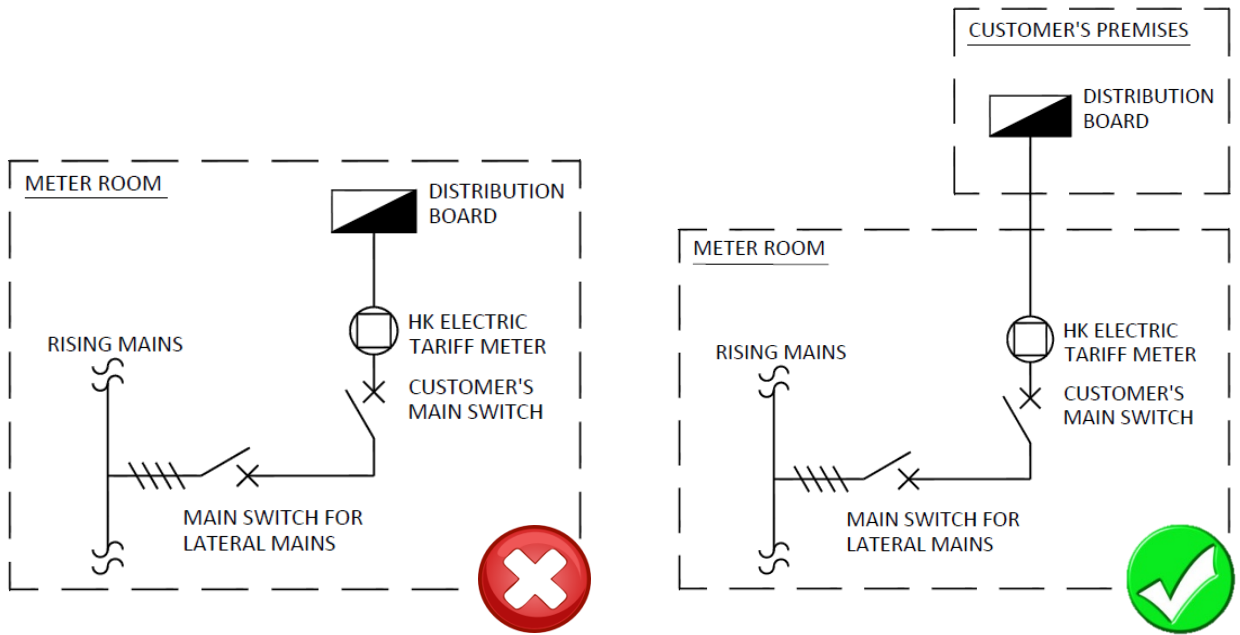


	Conductor cross-sectional area (mm ²)						
1-phase	4	6	10	16	25	35	50
3-phase	4	6	10	16	25	35	50

Acceptable Size

Correct size for meter wires for direct-connected meter should be used.

4. Location of Distribution Board of Individual Customers



Distribution board of individual customers shall not be installed in communal area.

Distribution board of individual customers shall be installed within customers' premises.

We are pleased to provide our advisory service to Registered Electrical Contractor/Worker (REC/REW) regarding the design of interface parts for individual customer. They are advised to provide us with the schematic wiring diagram for our consideration.