

Welcome

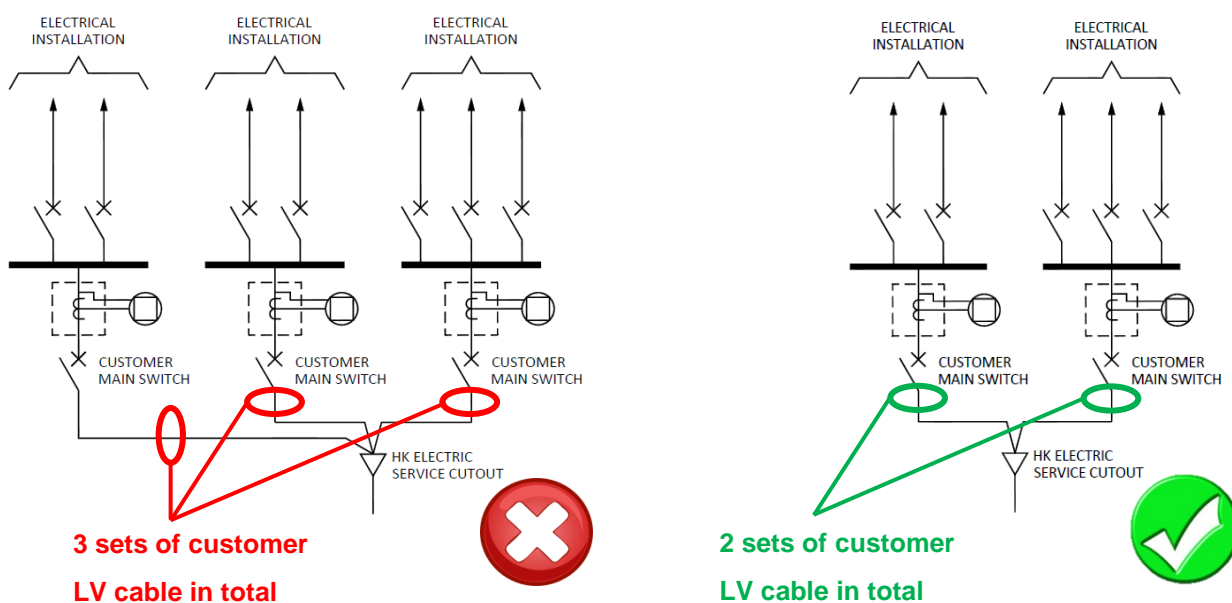
to our “e-REW Express”. For communal electrical installations, some design requirements are occasionally overlooked. In this issue, we will highlight some of the common departures in design of communal electrical installations so that you could avoid them next time.

We hope you will find the information of this e-REW Express useful. If you have any suggestion, please send an email to us at mail@hkelectric.com or contact our Customer Installation Section on 2887 3455 so that we can further improve our service.

Common Departures in Design of Communal Electrical Installations

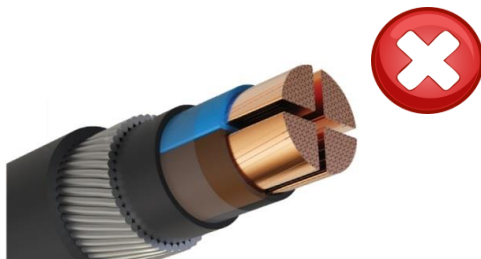
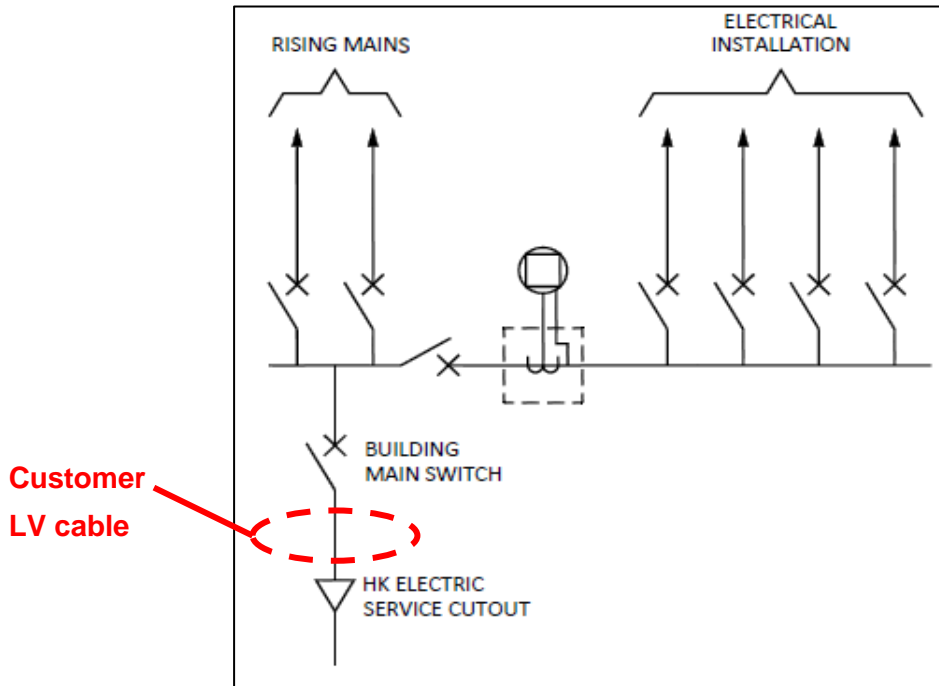
1. Interconnection between HK Electric’s Supply Point and Customer Main Incomer

i. LV Cable Directly Connected to HK Electric Service Cutout

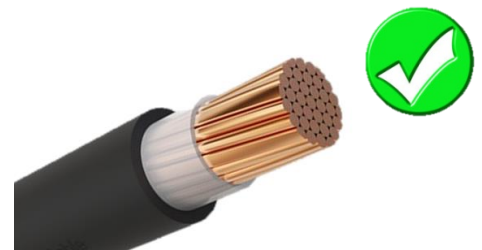


More than two sets of customer LV cable connected to HK Electric service cutout are not allowed.

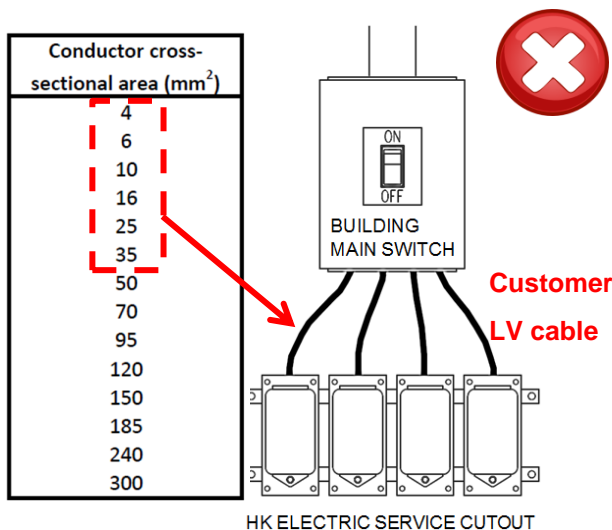
A maximum of two sets of customer LV cable could be connected directly to HK Electric service cutout.



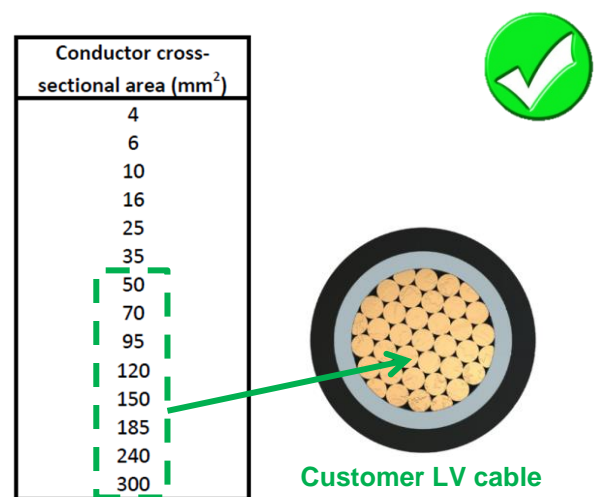
Direct connection of multi-core, sector-shaped and metallic sheathed customer LV cable to HK Electric service cutout is not allowed.



The customer LV cable between HK Electric service cutout and customer main incomer shall be of single-core, circular and non-metallic sheathed type.

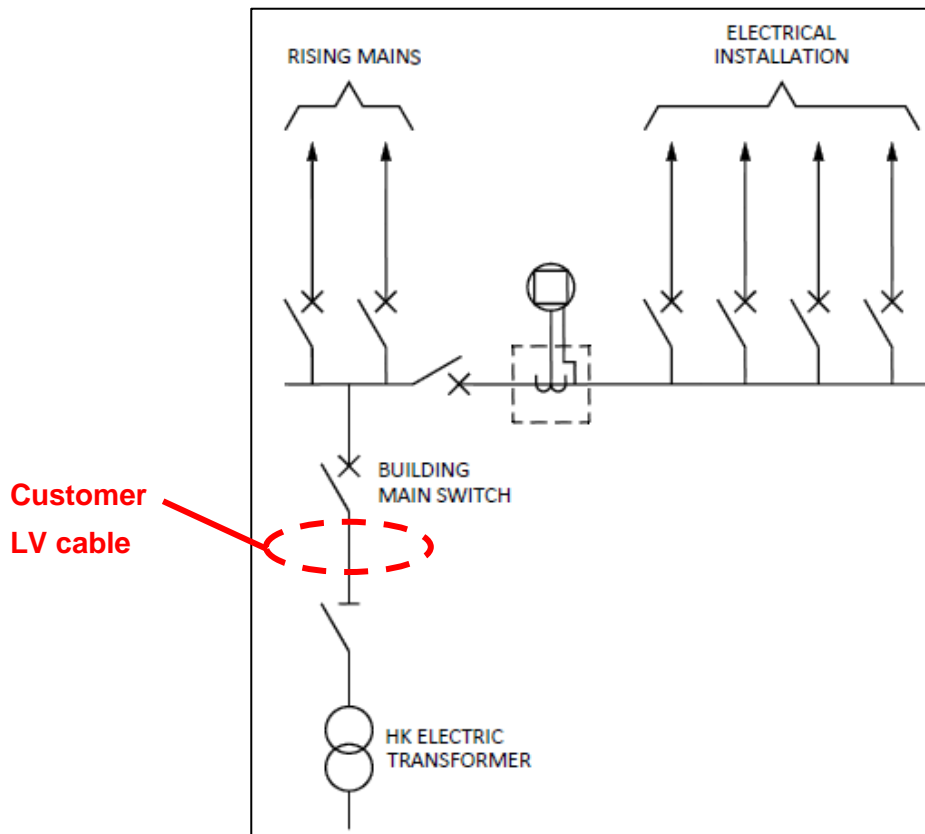


Direct connection of customer LV cable with cross-sectional area less than 50 mm² to HK Electric service cutout is not allowed.



The minimum size of customer LV cable to be terminated onto the outgoing service terminals of HK Electric service cutout is 50 mm².

ii. LV Cable between HK Electric Transformer and Customer Main Incomer

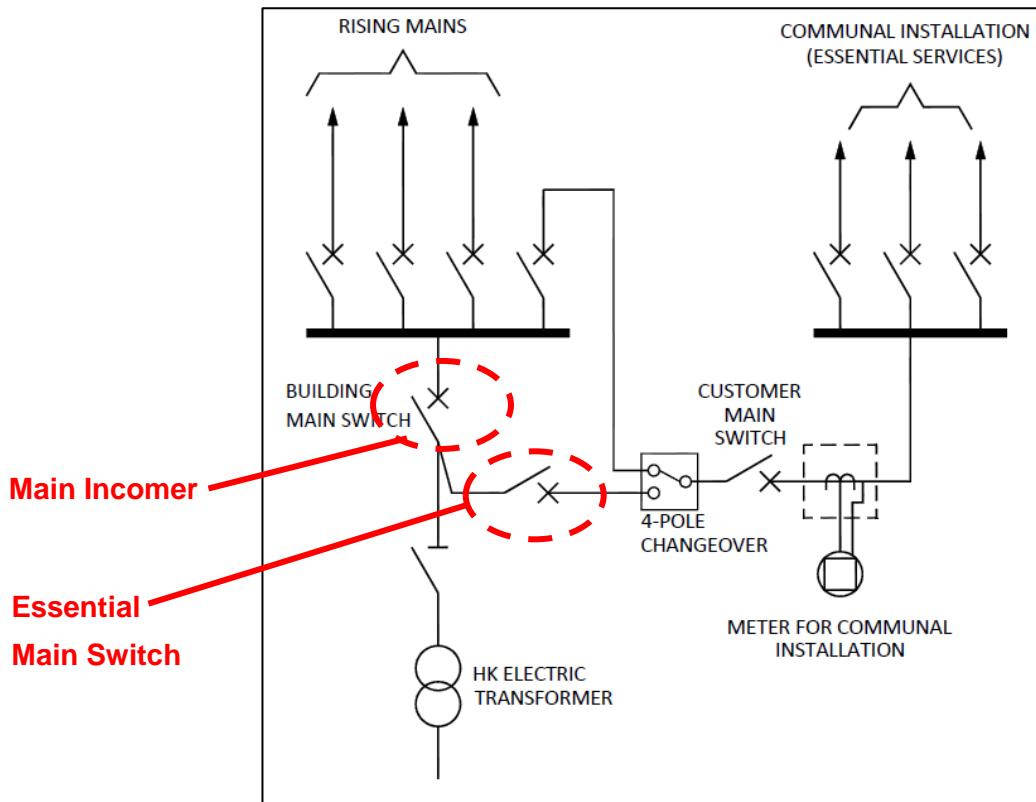


Multi-core customer LV cable is not allowed to connect to HK Electric transformers.



Installation shall be connected to HK Electric transformers via single core cables.

2. LV Main Incomer Directly Fed By Transformer

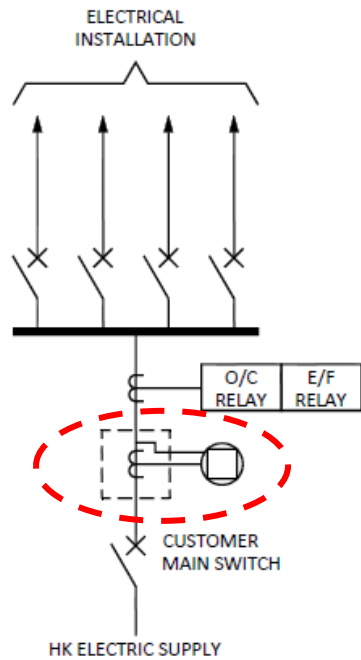


Main incomer and essential main switch of fixed type are not allowed.

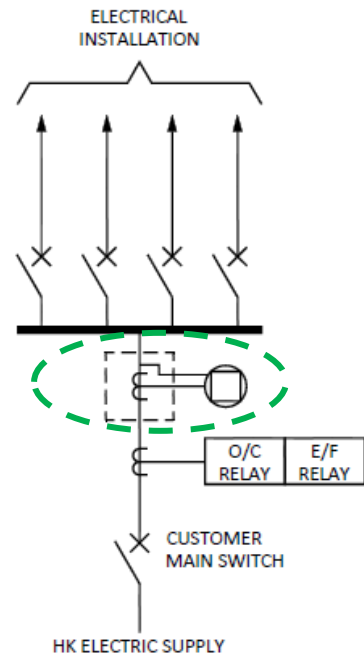


Circuit breaker directly fed by HK Electric transformer shall be of draw-out type.

3. Position of HK Electric Metering Equipment

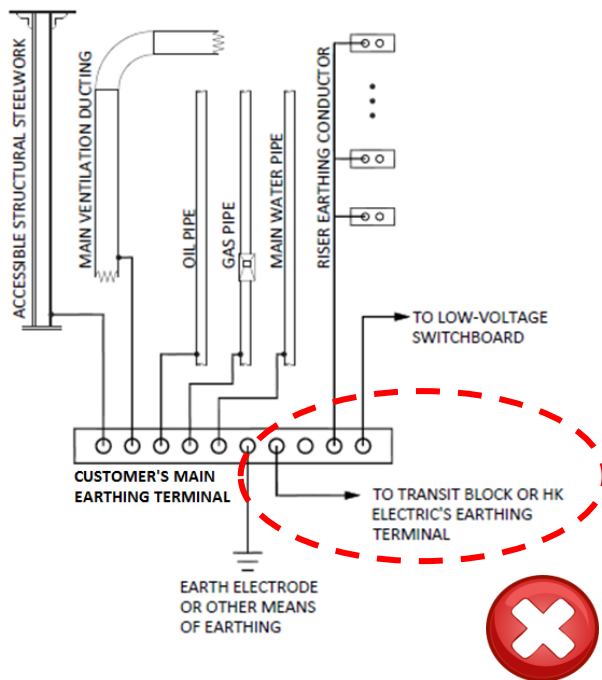


HK Electric metering equipment should not be installed before customer's protective devices.

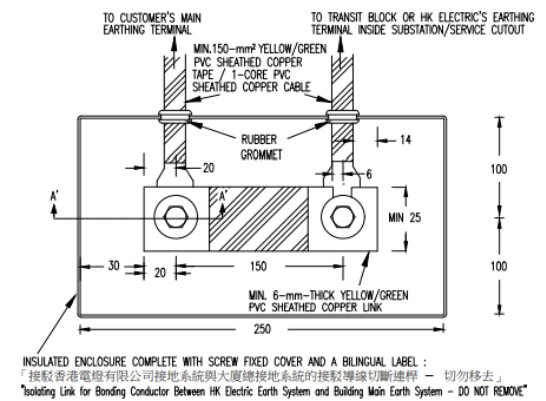


HK Electric metering equipment shall be installed after customer's protective devices.

4. Disconnection Link



No disconnection link is provided to disconnect the bonding conductor between HK Electric and customer's earthing system.

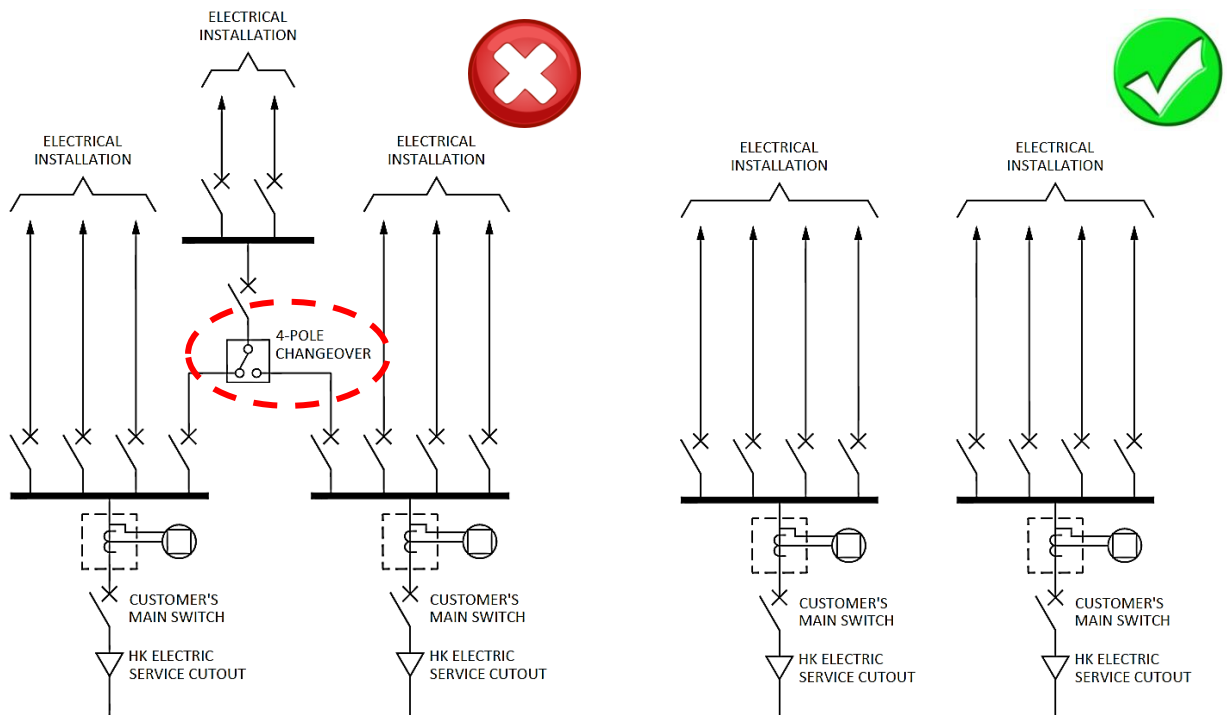


INSULATED ENCLOSURE COMPLETE WITH SCREW FIXED COVER AND A BILINGUAL LABEL: 接駁香港電燈有限公司接地系統與大廈總接地系統的接駁導線切斷連接 - 切勿移去
"Isolating Link for Bonding Conductor Between HK Electric Earth System and Building Main Earth System - DO NOT REMOVE"



A disconnection link shall be provided for the supply taken directly from HK Electric transformer / HK Electric service cutout (LV RMU Type).

5. Interconnection between LV Service Cables



Interconnection facilities between LV service cables are not allowed.

Electrical installations should be properly designed so as to prevent interconnection between LV service cables.

We are pleased to provide our advisory service to Registered Electrical Contractor/Worker (REC/REW) regarding the design of communal electrical installations. They are advised to provide us with the schematic wiring diagram for our consideration.